

Shaft Driven Live Roller Curves & Junctions (LS)

Bed Section:

8" Deep x 1 3/8" Flange x 10 Gauge galvanized frame with 34 5/8" inside radius.

Drive Shaft:

1" diameter cold rolled shaft with speed-up spools pinned to the shaft and 3/16" dia. 83 durometer elastomeric drive belts. Includes (4) single universal joints.

Galvanized Rollers:

Tapered Carrying: 1 11/16" Diameter (small end), 14 Gauge, tapered carrying roller with 7/16" hex axle.



Automotion Shaft Driven Live Roller conveyor is available in various configurations to support numerous system applications. It is quiet, safe, and offers high speed and reversibility. It can power curves, straights, and other accessories such as transfers, junctions, and merges with a single drive. It is ideally suited when diverse live roller applications are required in a small area.

Automotion's shaft Driven Live Roller Conveyor reduces overall system cost while enhancing system capabilities and flexibility. Costs are reduced because transferring, merging, diverting, and accumulating beds can all be powered by a single drive. The driveshaft, common to each of the shaft driven beds, is easily coupled to the next downstream conveyor bed. This flexibility allows your system to grow and adapt as your needs change. The internalized drive shaft makes the conveyor beds forklift friendly when installing at higher elevations.

Shaft Driven Live Roller Conveyor is primarily for horizontal transportation and accumulation of product. It allows personnel as well as automated accessories to stop, pull, divert or redirect loads to or from a main trunk line, work station, secondary line or palletizing unit. Shaft Driven Live Roller Conveyor has a large number of accessories available.



Typical Applications:
Transportation

Live Load Capacity:
Up to 20 lbs. per roller.

Standard Curve Offering:
30°, 45°, 60°, and 90°

Standard Junction Offering:
30° and 45°

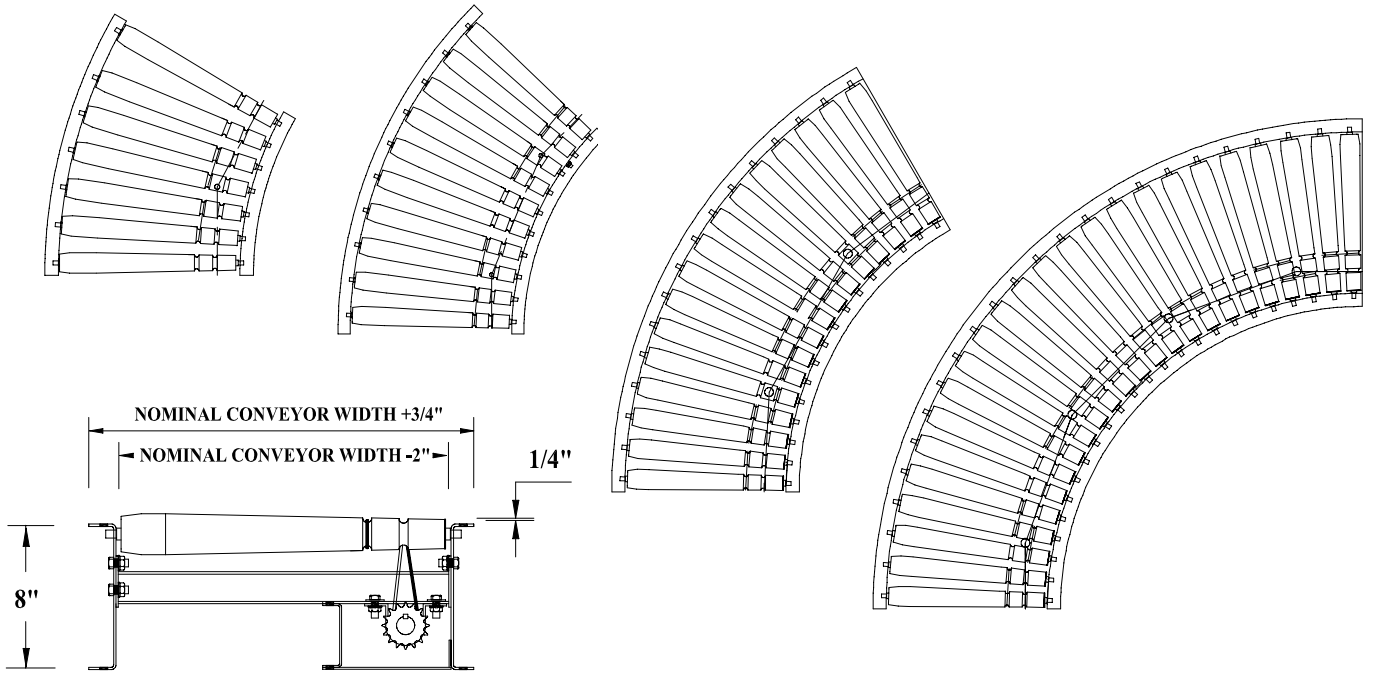
Standard Nominal Widths:

18", 24", 30", & 36"

Between Rail Widths:
16", 22", 28" & 34"

Carrying Roller Centers:
2" & 3"

Options:
Various Guard Rail Options
Various Floor & Ceiling Supports
Hi-Speed Rollers



11000 South Laverne Avenue Oak Lawn, Illinois 60453-5500

Phone: 708-229-3700 Fax: 708-229-3799

www.automotionconveyors.com

info@automotionconveyors.com