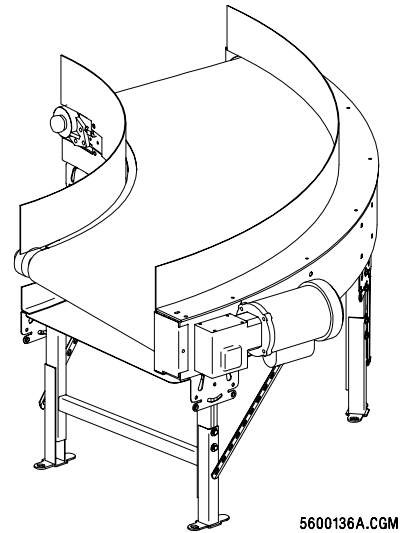


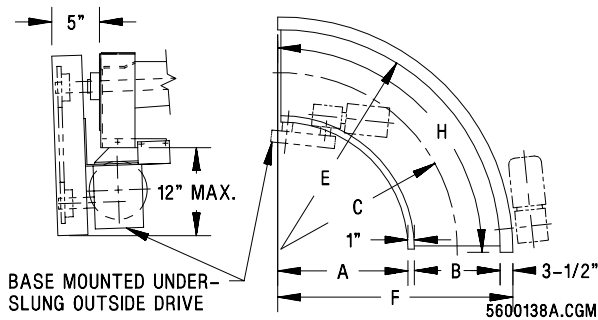
Materials Handling Products

- Maintains Product Orientation
- Assures Positive Spacing
- Smooth Flow

Power belt curves are used in conveyor systems where product spacing and orientation must be maintained. Items leave a belt curve with the same spacing they enter because of contact with the continuous belt surface. The flat conveying surface is ideal for odd shaped, fragile and other problem materials.



5600136A.CGM



5600138A.CGM

Operation: One-way, horizontal

Capacity: Maximum live load for 90 degree Series SA is 185 lb, SB is 230 lb and SC is 360 lb.

Degrees: 30, 45, 60, 90 and 180

Speeds: 50-240 fpm at belt centerline, fixed.

Drive: End location with either shaft-mounted or underslung configuration.

Motor and Reducer: 1/2–5 hp, C-face motor.

Belt: Interwoven polyester with smooth top and friction back. Other belts available.

Bed: 10-gage slider bed, painted.

End Pulleys: Tapered, cast aluminum and driven by No. 50 side bow roller chain with special attachments to the belt.

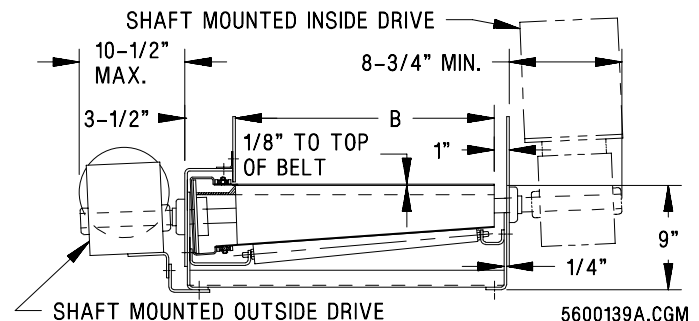
Guard Rails: 14 gage, 6" or 12" high, painted.

Series	A	B	C	E	F	H
SA	32"	14"	40"	47"	50-1/2"	63"
	28"	18"	38"	47"	50-1/2"	60"
	22"	24"	35"	47"	50-1/2"	55"
SB	34"	24"	47"	59"	62-1/2"	74"
	28"	30"	44"	59"	62-1/2"	69"
	22"	36"	41"	59"	62-1/2"	64"
SC	68"	18"	78"	87"	90-1/2"	122"
	62"	24"	75"	87"	90-1/2"	118"
	56"	30"	72"	87"	90-1/2"	113"
	50"	36"	69"	87"	90-1/2"	108"

Weight (lb)

SA	SB	SC
470	610	960

WT. = 90° turn and includes 60# for supports.



5600139A.CGM